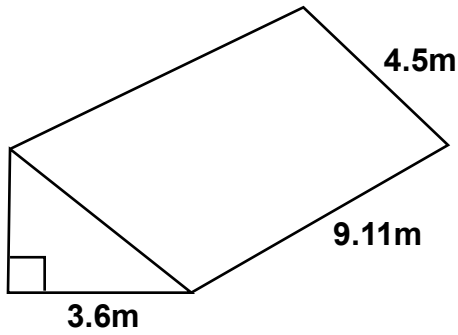


Surface Area

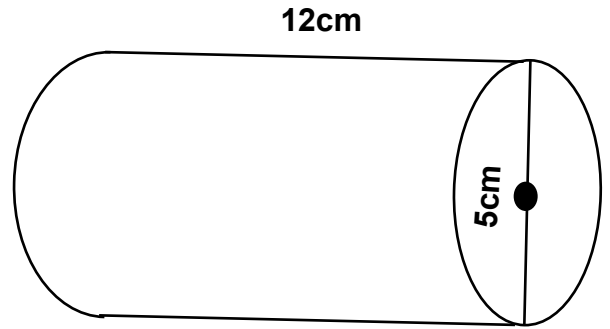
Name: _____

Class: _____

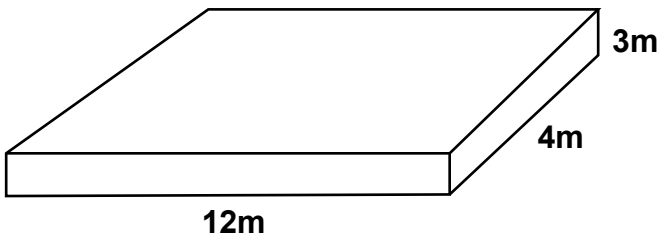
Find the surface area of the following figures



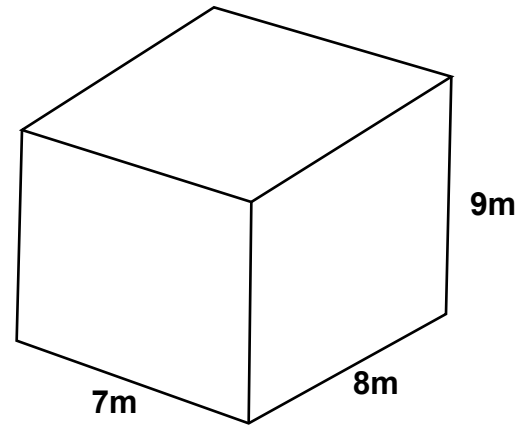
1. _____



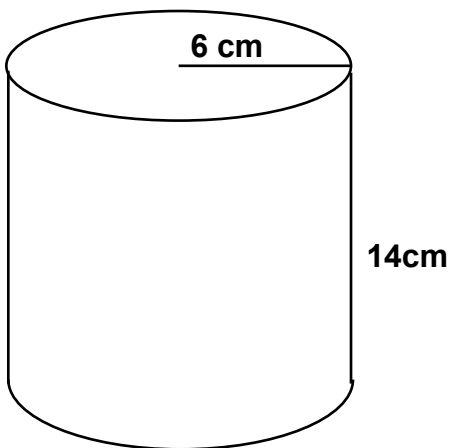
2. _____



3. _____



4. _____



5. _____

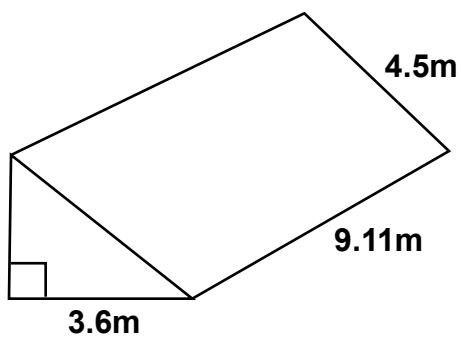
Surface Area

Name: _____

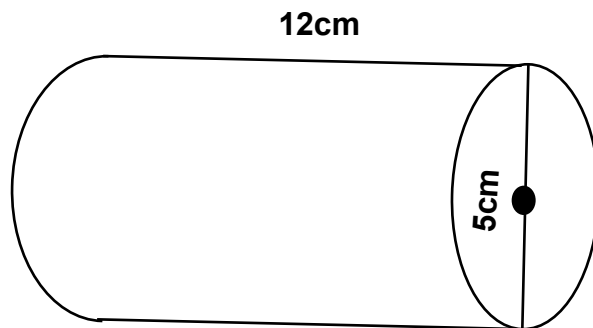
Class: _____

Answers

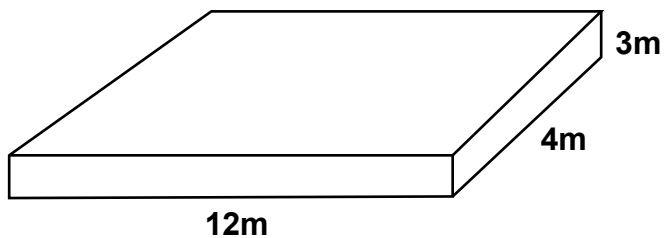
Find the surface area of the following figures



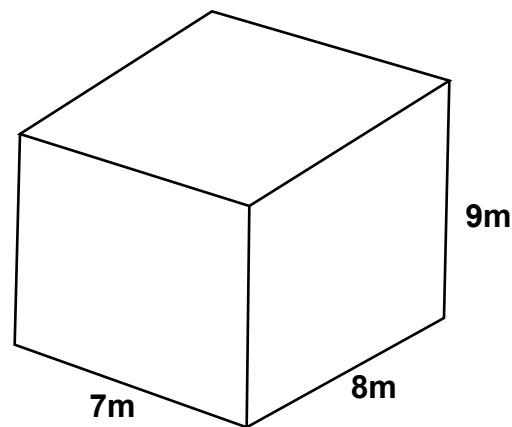
1. _____ 108 m^2



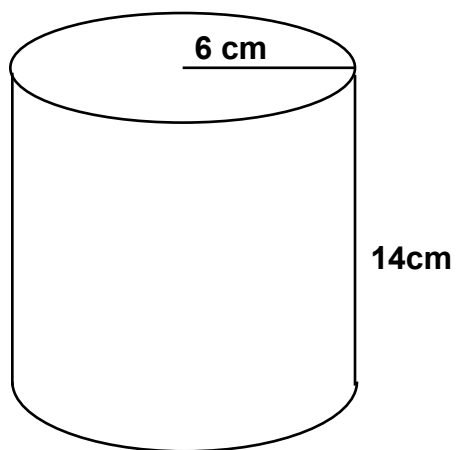
2. _____ 22.765 cm^2



3. _____ 192 m^2



4. _____ 383 m^2



5. _____ 753.6 cm^2