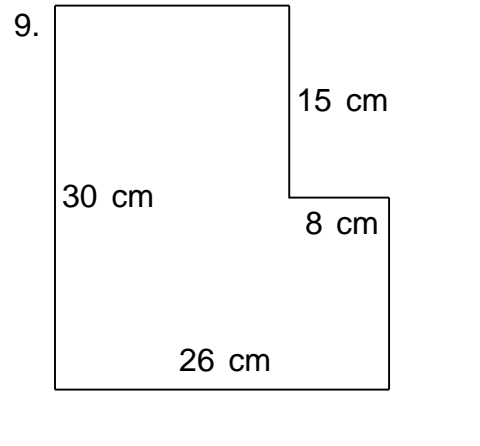
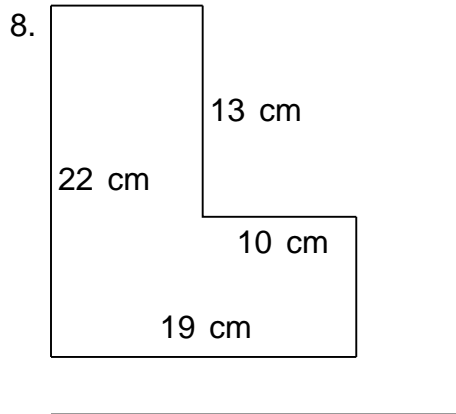
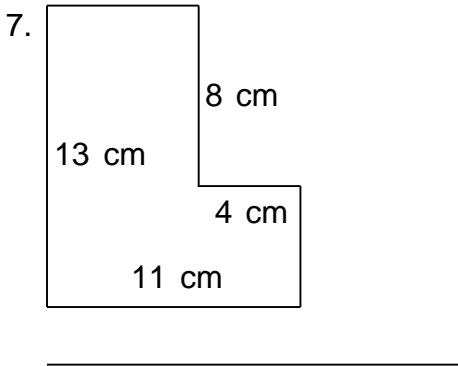
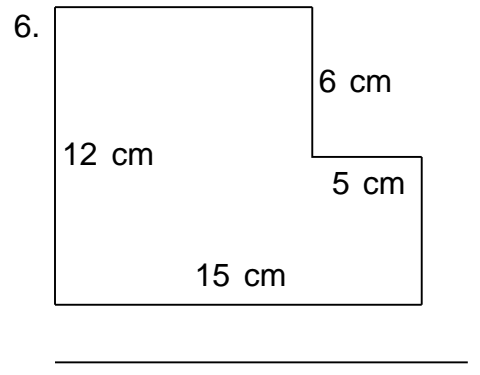
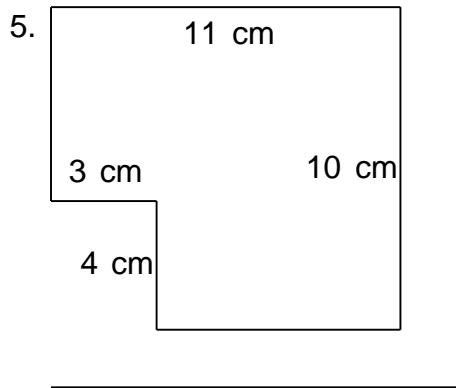
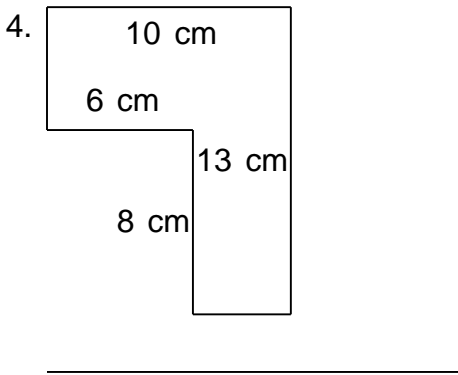
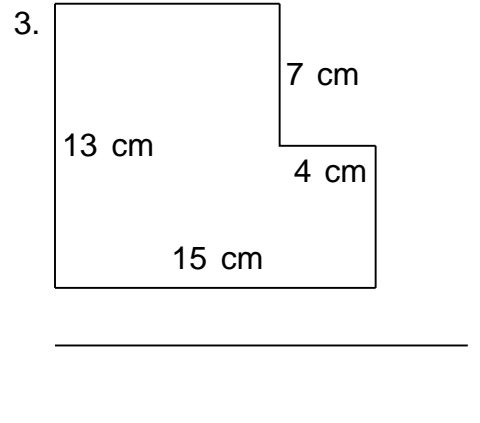
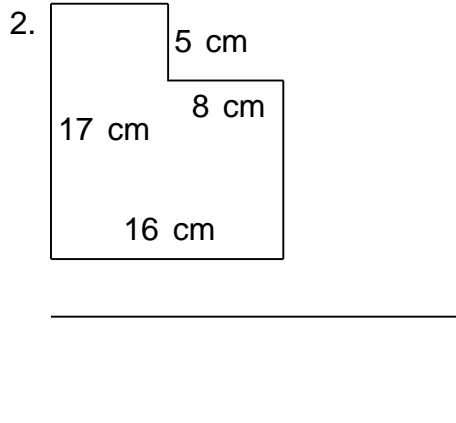
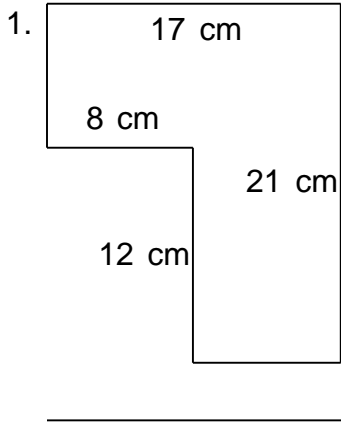


Name: \_\_\_\_\_

Class: \_\_\_\_\_

### PERIMETER AND AREA

Find the perimeter and area.

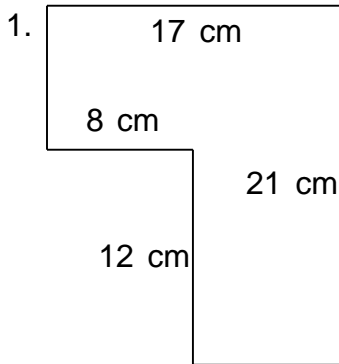


Name: \_\_\_\_\_

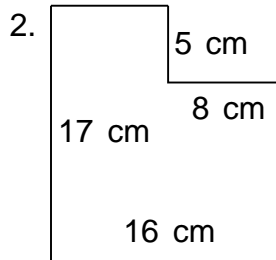
Class: \_\_\_\_\_

## PERIMETER AND AREA

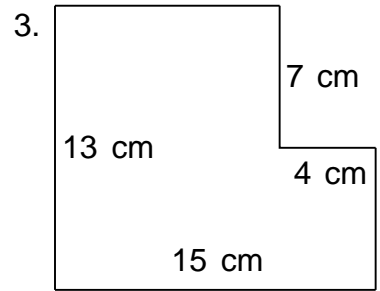
Find the perimeter and area.



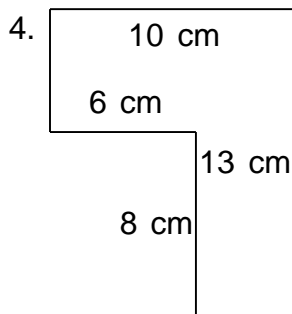
$P = 76 \text{ cm}$   $A = 261 \text{ cm}^2$



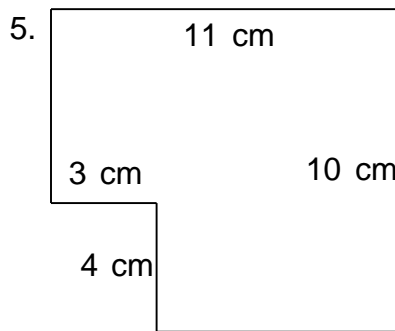
$P = 66 \text{ cm}$   $A = 232 \text{ cm}^2$



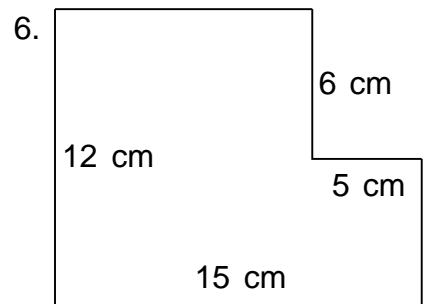
$P = 56 \text{ cm}$   $A = 167 \text{ cm}^2$



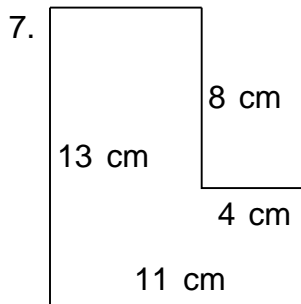
$P = 46 \text{ cm}$   $A = 82 \text{ cm}^2$



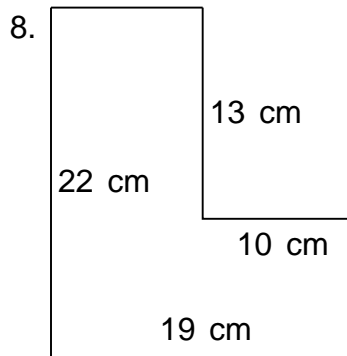
$P = 42 \text{ cm}$   $A = 98 \text{ cm}^2$



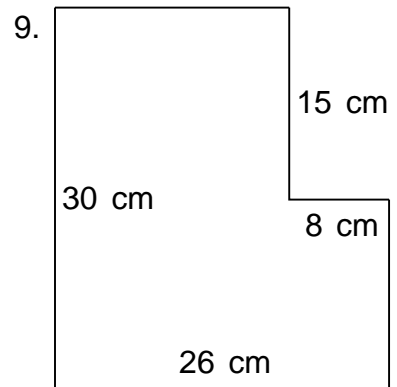
$P = 54 \text{ cm}$   $A = 150 \text{ cm}^2$



$P = 48 \text{ cm}$   $A = 111 \text{ cm}^2$



$P = 82 \text{ cm}$   $A = 288 \text{ cm}^2$



$P = 112 \text{ cm}$   $A = 660 \text{ cm}^2$